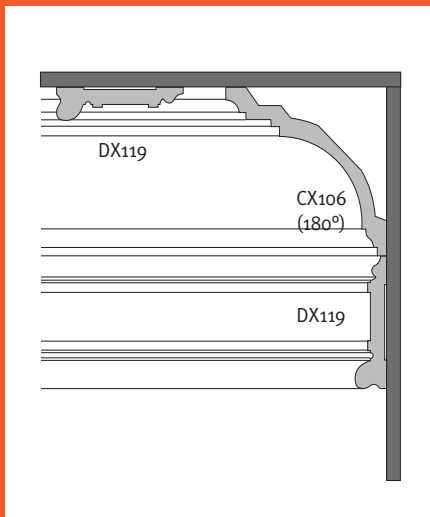




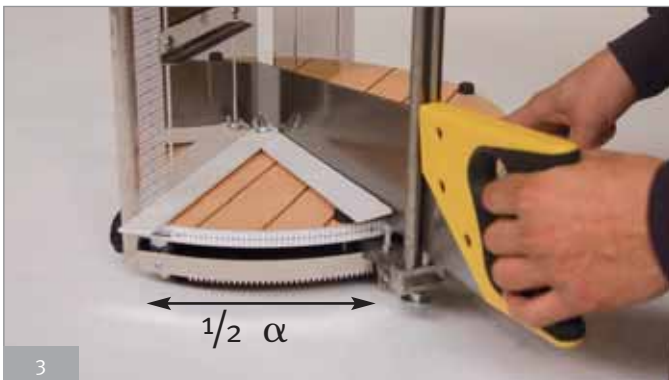
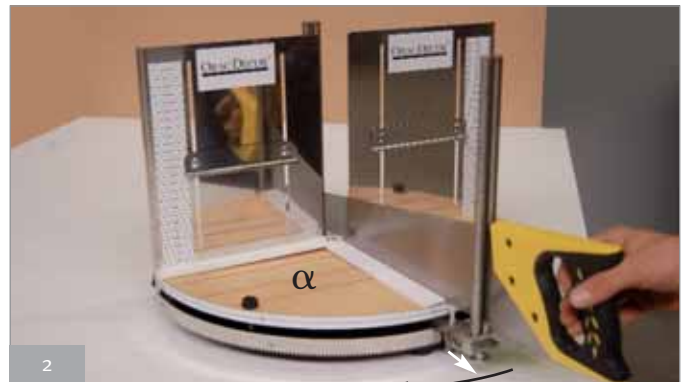
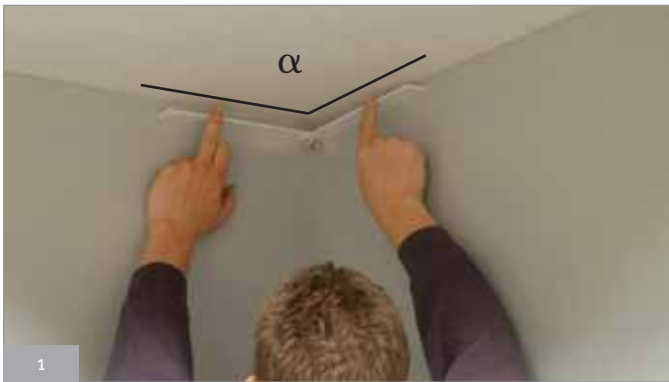
THE ORAC USER MANUAL

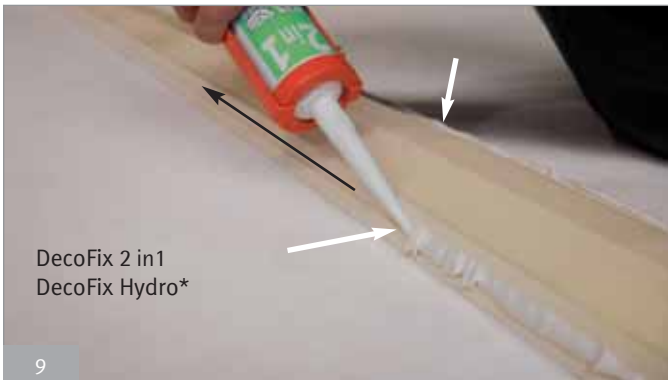


THE ORIGINAL

3. INSTALLATION

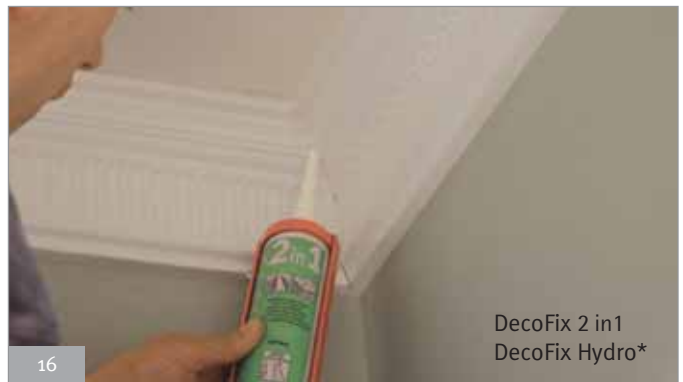
3.1 installation of hard cornice mouldings





* for exterior applications and in damp environments.

>> 3.1 installation of hard cornice mouldings



24 hrs.

* for exterior applications and in damp environments.